



Sump-Saver

Automatic, Portable, Vacuum Filtration Unit

Applications:

- Machining
- Grinding
- Honing
- Lapping
- Coolant Recovery
- Parts Washers
- Recirculating Cooling Water Systems
- Other Aqueous Process Systems

Performance Enhancing Features:

The Sump-Saver is a portable unit that was designed for machining facilities with multiple coolant sumps.

By rotating the unit through a plant, coolant life can be extended in several machines.

The Sump-Saver cleans your sump at up to 30 GPM.

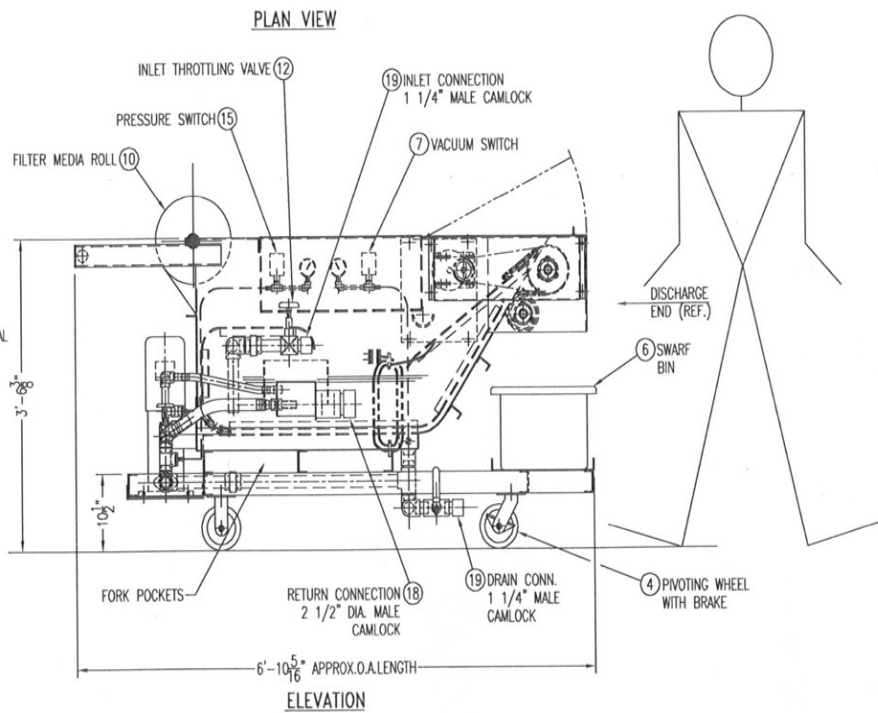
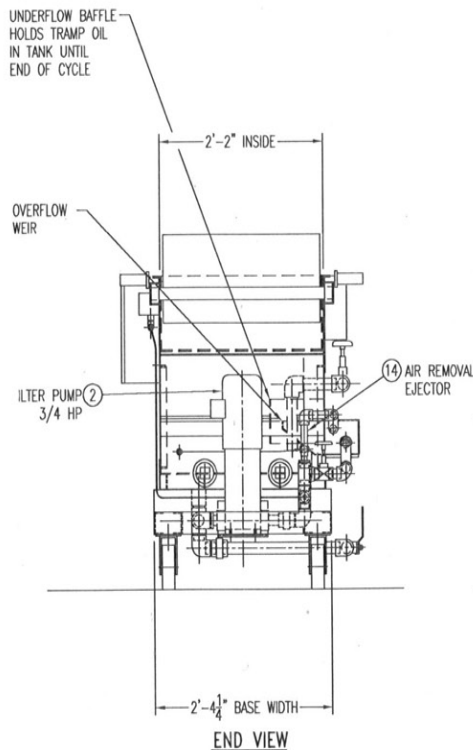
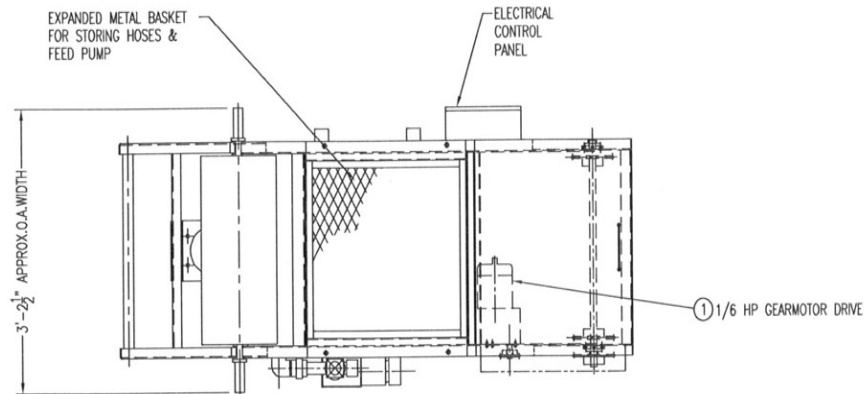
This turns over most sumps several times per hour. The Sump-Saver is easily purged of its fluid so it may be moved between machines with different coolant concentrations, and even different types of fluid. Its all electric operation means that only one utility connection is required - 115 VAC, 15 amps max.

Superior Filtration
A Division of Barnes International
10524 E. Grand River Ave. #102
Brighton, MI 48116
Phone: (810) 844-2130
Fax: (810) 844-2133



**SUPERIOR
FILTRATION**

www.superiorfiltration.com



Barnes[®]
International, Inc.

A Family of Innovative Filtration Products

Barnes International, Inc. - 814 Chestnut Street - Rockford, IL 61102 - Phone: 815-964-8661

www.barnesintl.com

Superior Filtration - 10524 E. Grand River Avenue, Suite 102 - Brighton, MI 48816 - Phone: 810-844-2130

www.superiorfiltration.com

Advanced Filtration Concepts - 3211 Grant Line Road, Summit Square, Suite #7 - New Albany, IN 47150 - Phone: 812-949-4711

www.afcbarnes.com