



# PlateMag Filters

Efficient filtration using magnetic separation

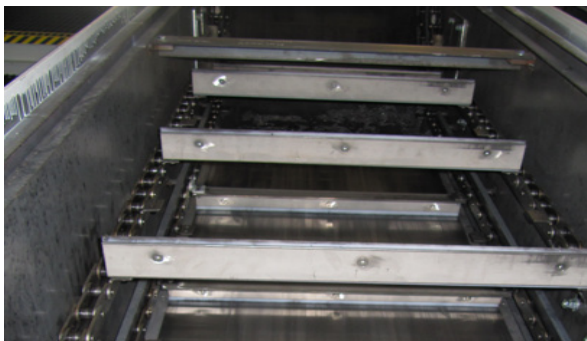
## Applications:

- Grinding and Machining for Coarse Filtration, Cast Iron, Steel, and Powder Metal.



## Performance Enhancing Features:

- Flat bar permanent magnets will hold their magnetic properties for the life of the system.
- Plate type magnetic separators can deal with large quantities of metal chips and grinding swarf, at flow rates up to 6000 GPM.
- No media required.



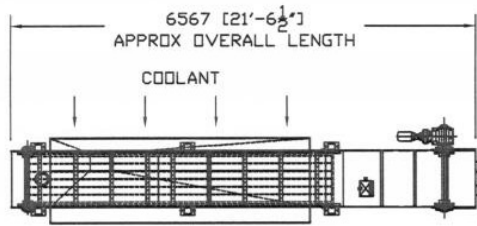
Advanced Filtration Concepts  
3211 Grant Line Road  
Summit Square, Suite #7  
New Albany, IN 47150  
Phone: 812-949-4711  
Fax: 812-618-0900

**Barnes**   
International, Inc. **ADVANCED  
FILTRATION  
CONCEPTS**

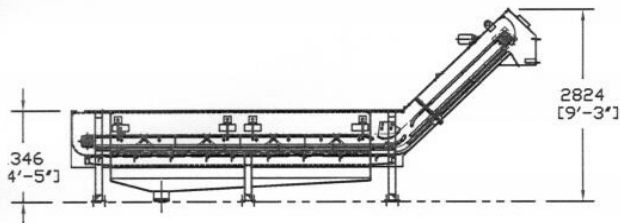
[www.afcbarnes.com](http://www.afcbarnes.com)

# PlateMag Filters

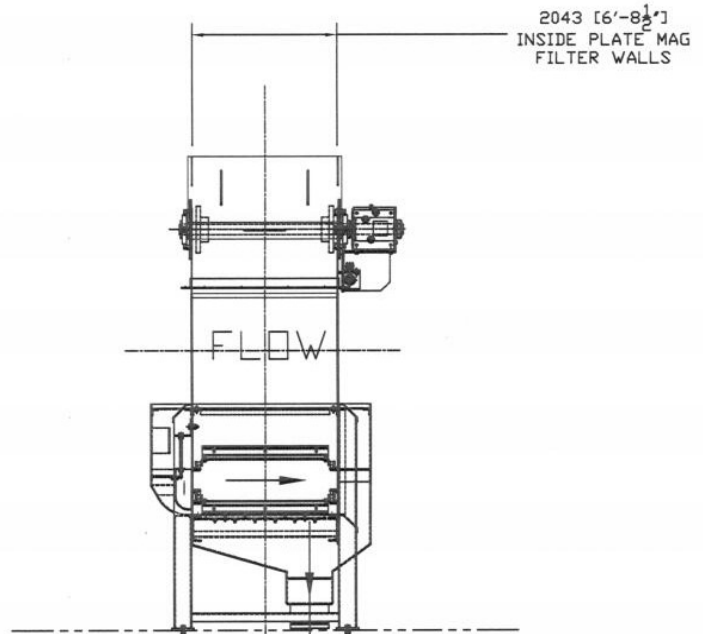
Efficient filtration using magnetic separation



PLAN VIEW



ELEVATION VIEW



RIGHT DETAIL VIEW

## A Family of Innovative Filtration Products

Barnes International, Inc. - 814 Chestnut Street - Rockford, IL 61102 - Phone: 815-964-8661  
www.barnesintl.com

Superior Filtration - 10524 E. Grand River Avenue Suite 102 - Brighton, MI 48116 - Phone 810-844-2130  
www.superiorfiltration.com

Advanced Filtration Concepts - 3211 Grant Line Road - Summit Square, Suite #7 - New Albany, IN 47150 - Phone: 812-949-4711  
www.afcbarnes.com

**Barnes**<sup>®</sup>  
International, Inc.