

Pressure Filters

Efficient filtration using mixed media

Applications:

- Rolling - Aluminum, Steel, Stainless Steel
- Grinding - Steel, Aluminum, Cast Iron, Ceramics
- Machining - Aluminum, Steel, Cast Iron
- Parts Washers
- High Pressure Deburring

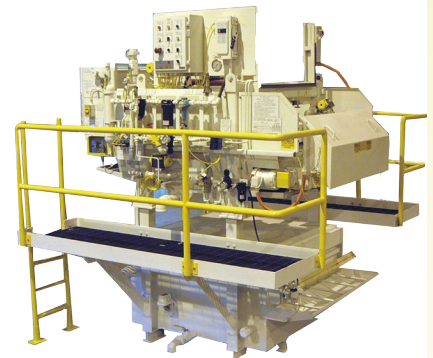


10,000 GPM Central Coolant System for Aluminum Block Machining Utilizing (4) P126 and (1) P96 Pressure Filters

Advanced Filtration Concepts
3211 Grant Line Road
Summit Square, Suite #7
New Albany, IN 47150
Phone: 812-949-4711
Fax: 812-618-0900

Performance Enhancing Features:

- Positive sealing of media prevents bypassing of dirty coolant and solids
- Higher flow rate per unit area than vacuum filtration
- Higher differential pressure for index cycle resulting in lower disposable media consumption and costs
- Available to operate with either disposable media or permanent media belts
- Index compressed air drying cycle produces dry cake discharge resulting in lower disposal costs
- All units feature self locking mechanical closures that are driven by air cylinders. This design prevents the filter from opening due to air or power failure



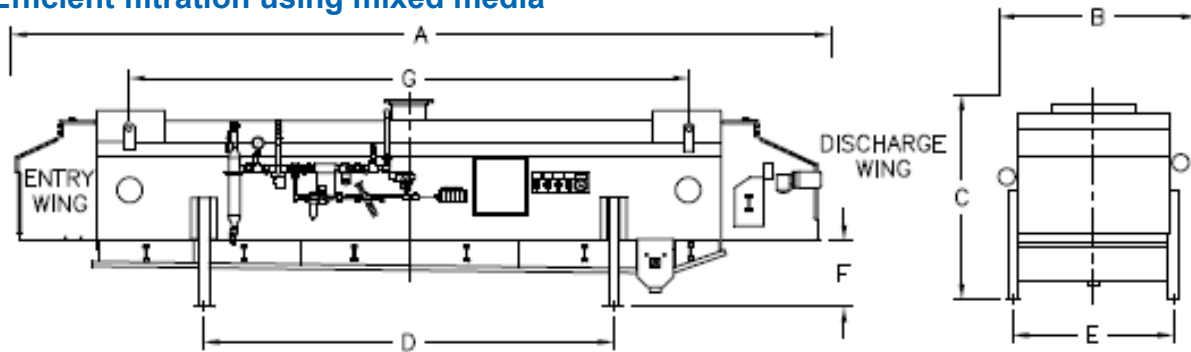
100 GPM - P16 Pressure Filter

Barnes **ATC**
International, Inc. ADVANCED FILTRATION CONCEPTS

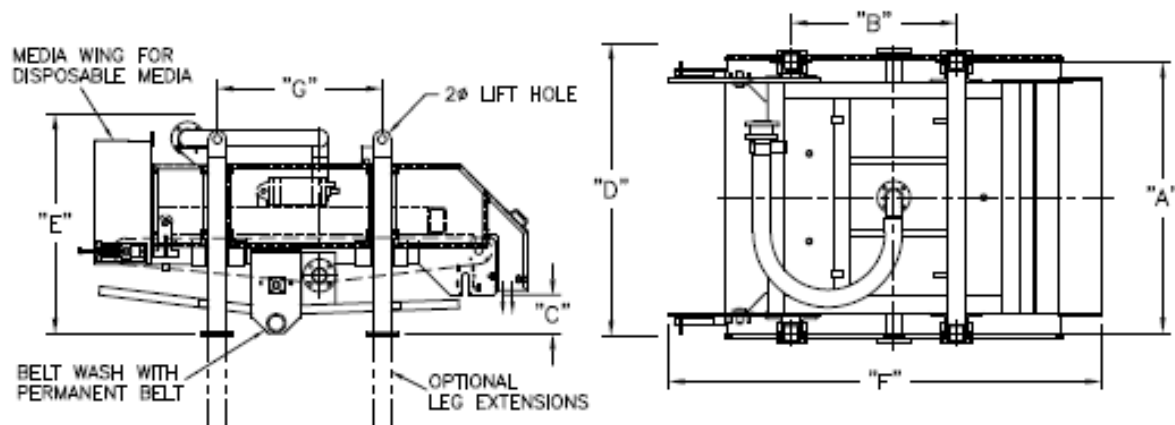
www.afcbarnes.com

Pressure Filters

Efficient filtration using mixed media



| DIMENSIONS AND WEIGHT | | | | | | | | | |
|-----------------------|------|-----|-----|---------|---------|--------|---------|---------|--------|
| FILTER | A | B | C | D | E | F | G | WEIGHT | |
| P2 STYLE FILTER | P36 | 195 | 81 | 80 | 97 1/2 | 61 3/4 | 25 | 94 | 9,000 |
| | P48 | 235 | 81 | 80 | 137 | 61 3/4 | 25 | 113 1/2 | 10,000 |
| | P60 | 275 | 81 | 80 | 180 | 61 3/4 | 25 | 177 | 11,750 |
| | P72 | 315 | 81 | 87 | 158 | 61 3/4 | 25 1/2 | 216 | 13,750 |
| | P84 | 355 | 81 | 90 | 170 3/4 | 61 3/4 | 25 1/2 | 256 | 16,000 |
| | P96 | 395 | 81 | 90 | 208 | 61 3/4 | 25 1/2 | 296 | 19,000 |
| P3 STYLE FILTER | P108 | 315 | 102 | 107 1/2 | 158 | 83 3/4 | 31 7/16 | 216 | 19,000 |
| | P126 | 355 | 102 | 107 1/2 | 170 3/4 | 83 3/4 | 31 7/16 | 256 | 23,000 |
| | P144 | 395 | 102 | 107 1/2 | 208 | 83 3/4 | 31 7/16 | 296 | 27,000 |



| DIMENSIONS AND WEIGHT | | | | | | | | |
|-----------------------|--------|--------|--------|--------|----|-----|--------|--------|
| FILTER | A | B | C | D | E | F | G | WEIGHT |
| P16 | 61 3/4 | 37 1/2 | 12 | 67 3/4 | 58 | 98 | 37 1/2 | 8,000 |
| P24 | 61 3/4 | 60 | 9 1/2 | 68 1/4 | 66 | 136 | 60 | 9,000 |
| P32 | 61 3/4 | 70 | 15 1/2 | 68 1/4 | 76 | 163 | 70 | 10,000 |

DIMENSIONS ARE IN INCHES, WEIGHT IS U.S. POUNDS. FILTER MODEL NUMBER REPRESENTS AREA (SQ. FT)

A Family of Innovative Filtration Products

Barnes International, Inc. - 814 Chestnut Street - Rockford, IL 61102 - Phone: 815-964-8661
www.barnesintl.com

Superior Filtration - 10524 E. Grand River Avenue Suite 102 - Brighton, MI 48116 - Phone 810-844-2130
www.superiorfiltration.com

Advanced Filtration Concepts - 3211 Grant Line Road - Summit Square, Suite #7 - New Albany, IN 47150 - Phone: 812-949-4711
www.afcbarnes.com

Barnes
International, Inc.